

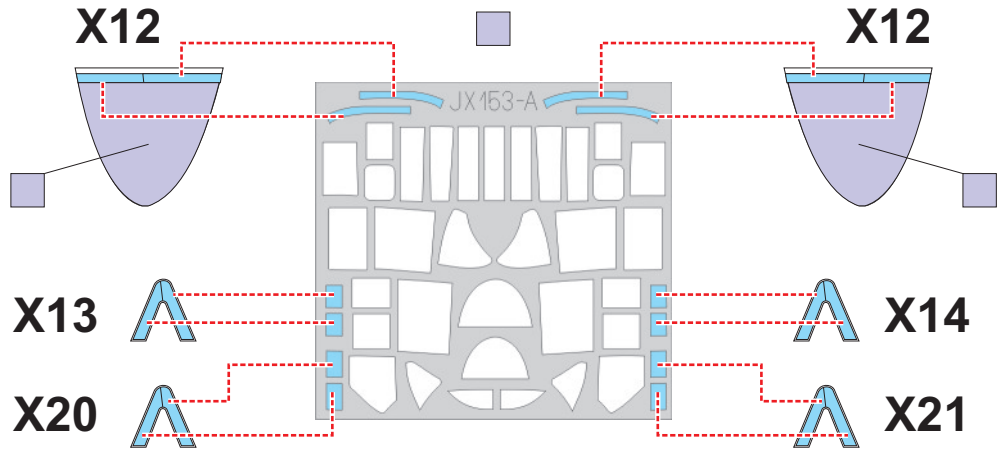
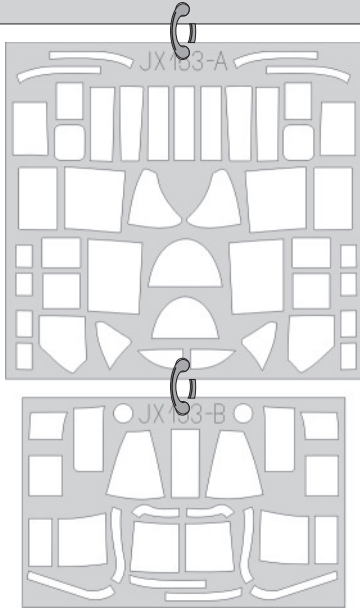
eduard
MASK

JX 153

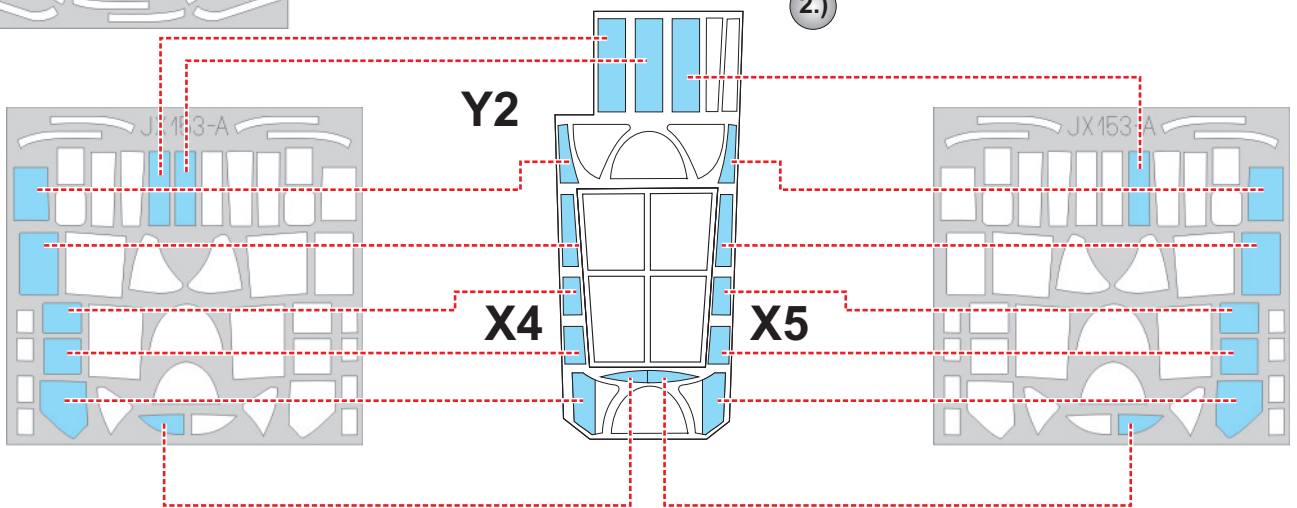
P-61A/B 1/32

The die-cut mask for accurate canopy frame painting of the
Hobby Boss scale 1/32 KIT

1.) LIQUID MASK



2.)



3.)

