

eduard
MASK

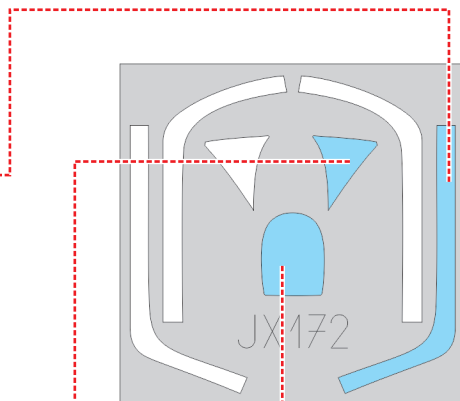
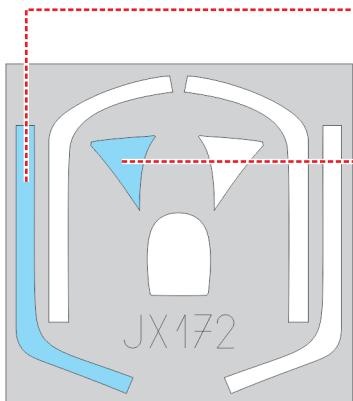
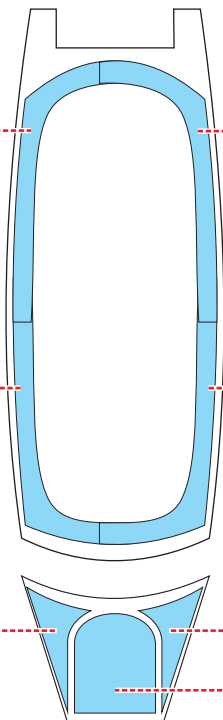
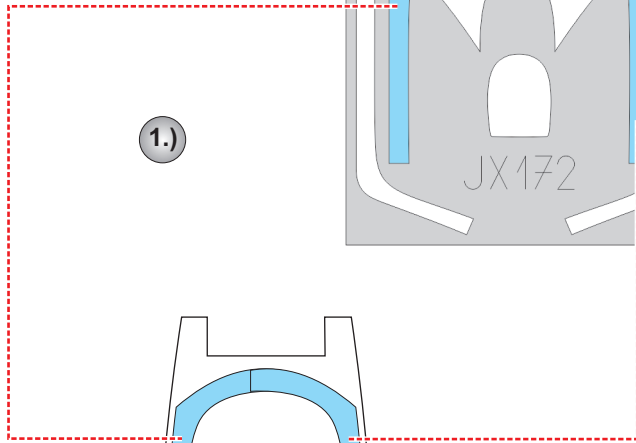
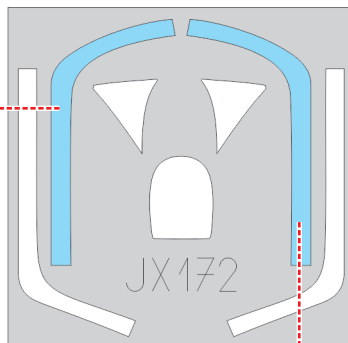
T-33 1/32

The die-cut mask for accurate canopy frame painting of the
Special Hobby *scale 1/32 KIT*

JX 172

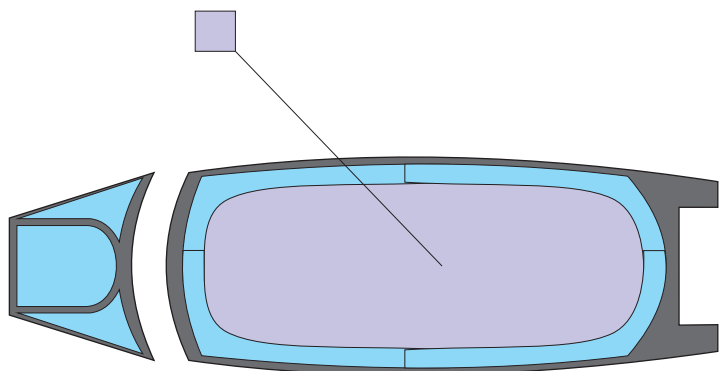


1.)



2.)

LIQUID MASK



3.)

