

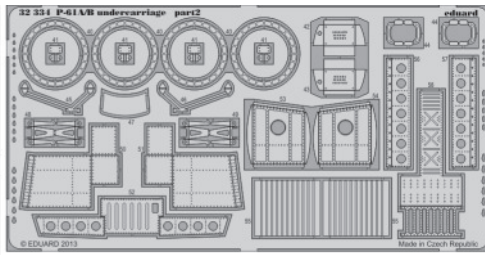
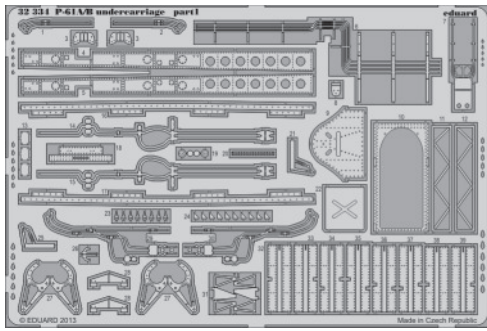


P-61A/B undercarriage

eduard

32 334

1/32 scale detail set for Hobby Boss kit • sada detailů pro model 1/32 Hobby Boss



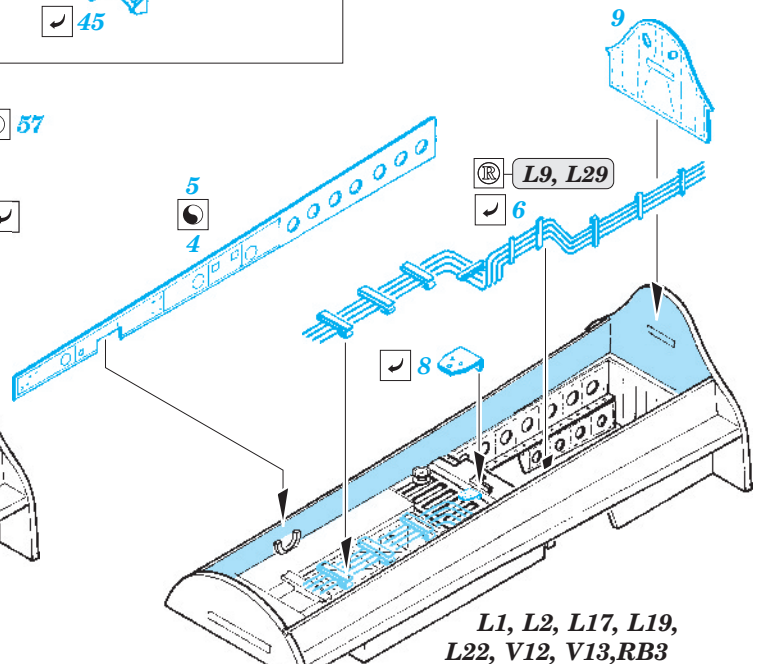
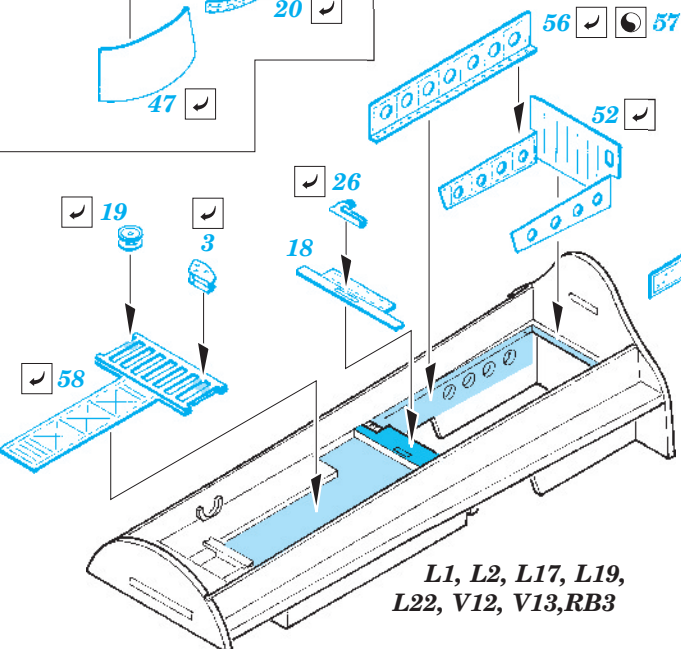
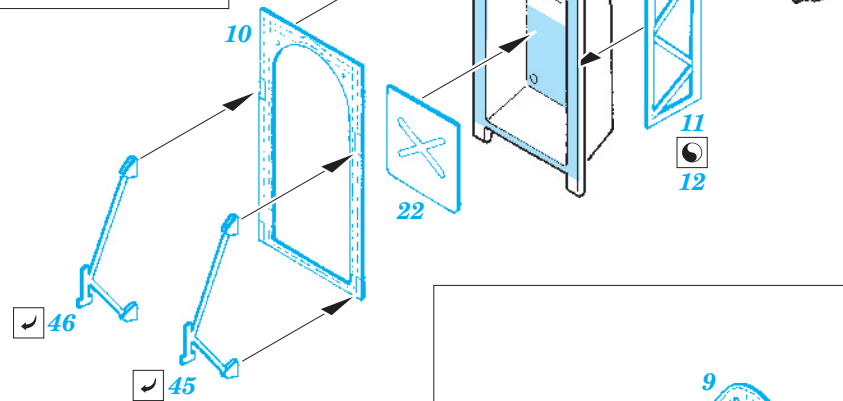
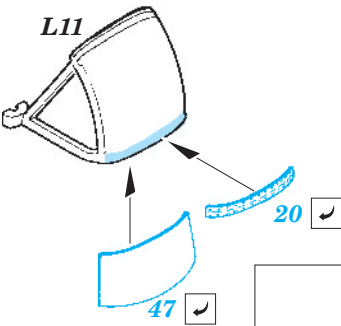
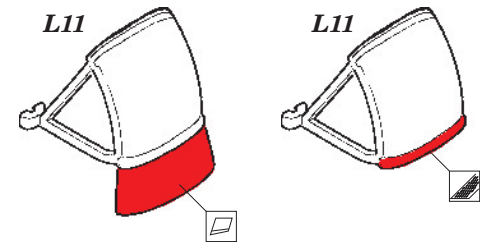
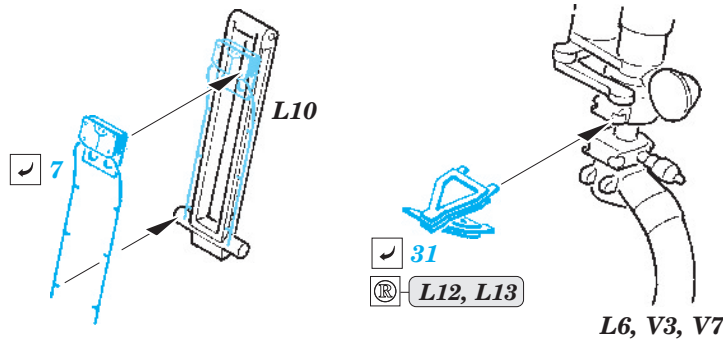
- ★ APPLY EXPRESS MASK AND PAINT BEFORE GLUING
POUŽIT EXPRESS MASK NABARVIT PŘED SLEPENÍM
- ☉ SYMMETRICAL ASSEMBLY
SYMETRICKÁ MONTÁŽ
- ☐ REMOVE
ODSTRANIT
- ☒ GRIND
OBROUSIT
- ⚪ DRILL HOLE
VRTAT OTVOR
- 1 COLORED ETCHED PARTS
LEPTANÉ BAREVNÉ DÍLY
- ↷ BEND
OHNOUT
- ❓ OPTION
VOLBA
- Ⓜ REPLACE
NAHRADIT

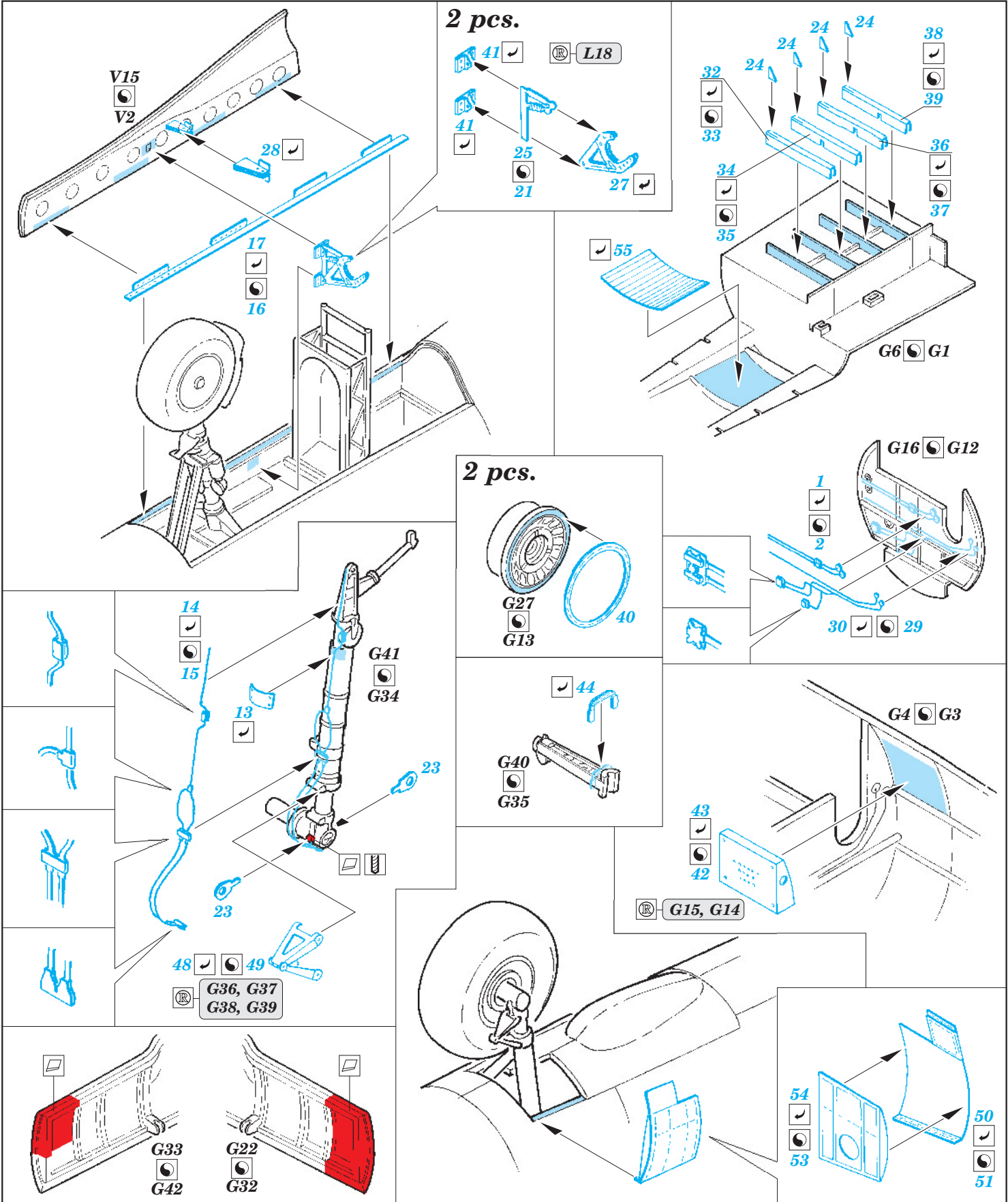
ORIGINAL KIT PARTS
PŮVODNÍ DÍLY STAVEBNICE

PHOTO-ETCHED PARTS
LEPTANÉ DÍLY

PARTS TO BE REMOVED
DÍLY K ODSTRANĚNÍ

FILL
TMELIT





*For further detail sets look for **eduard** 32 770 P-61 seatbelts
(not included in this set)*

*For further detail sets look for **eduard** 32 769 P-61A/B interior S.A.
(not included in this set)*

*For further detail sets look for **eduard** 32 333 P-61A/B exterior
(not included in this set)*